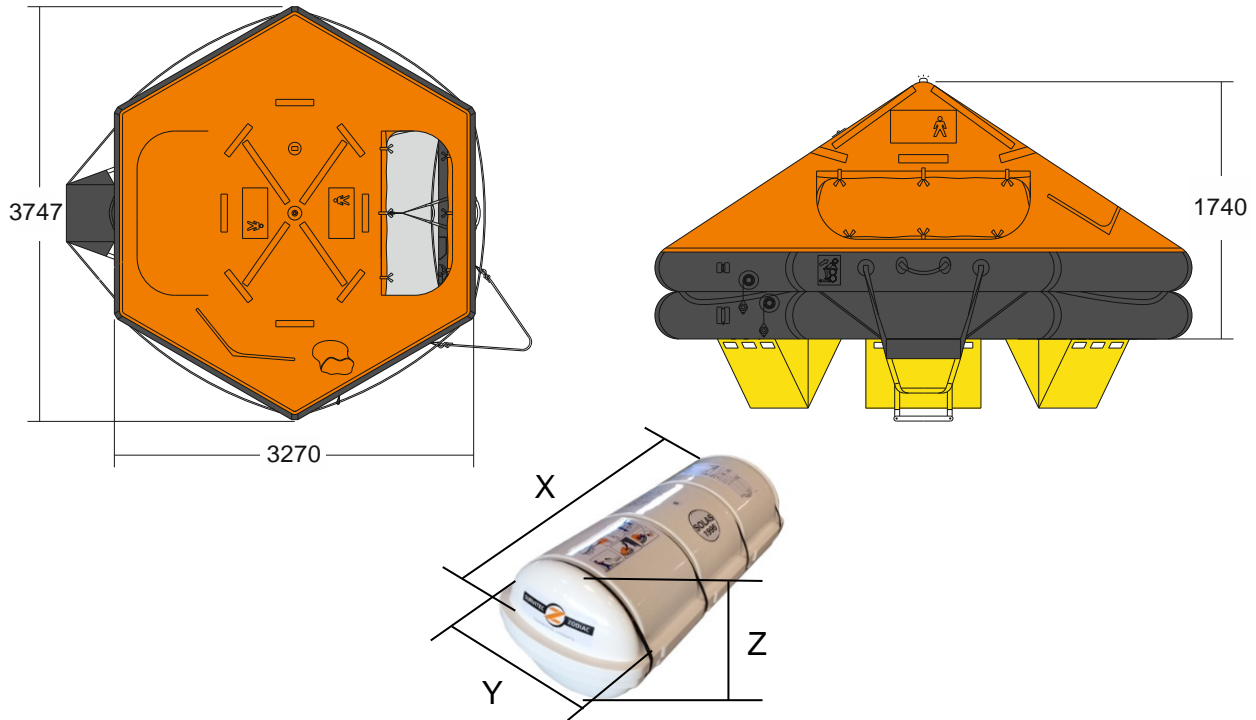


# 16 PERSON THROW OVER BOARD LIFERAFT

## ROUND CONTAINER - SOLAS A & B PACK



16 TO	A PACK	B PACK
Container	<b>MK14 S17</b>	<b>MK14 S14</b>
<i>Dimensions</i>	X: 1308mm    Y: 713mm    Z: 685mm X: 4'3,50"    Y: 2'5"    Z: 2'3"	X: 1156mm    Y: 612mm    Z: 584mm X: 3'9,50"    Y: 2'1"    Z: 1'11"
Liferaft net weight	139kg / 306 lbs	101kg / 223 lbs
Height of stowage	36m / 118' (maximum)	
Painter line length	46m / 151'	
Crate	X: 1350mm    Y: 840mm    Z: 900mm X: 4'5,15"    Y: 2'9,08"    Z: 2'11,44"	X: 1250mm    Y: 600mm    Z: 700mm X: 4'1,22"    Y: 1'10,05"    Z: 2'3,56"
<i>Dimensions &amp; weight</i>	159kg / 350 lbs	116kg / 255 lbs
Towing force	<b>2 knots</b> 87 daN / 196 lbf	<b>3 knots</b> 206 daN / 463 lbf

Approvals:	<b>EC - USCG - TC</b>
------------	-----------------------

16 TO ROUND 22112016 KLT.doc	Issue: 1	Date: 22/11/2016
------------------------------	----------	------------------

Dimensions and weight +/- 5%  
 SURVITEC SAS reserves the right to change specification without notice.  
 For installation, add minimum +10mm for clearance to dimensions of the container.