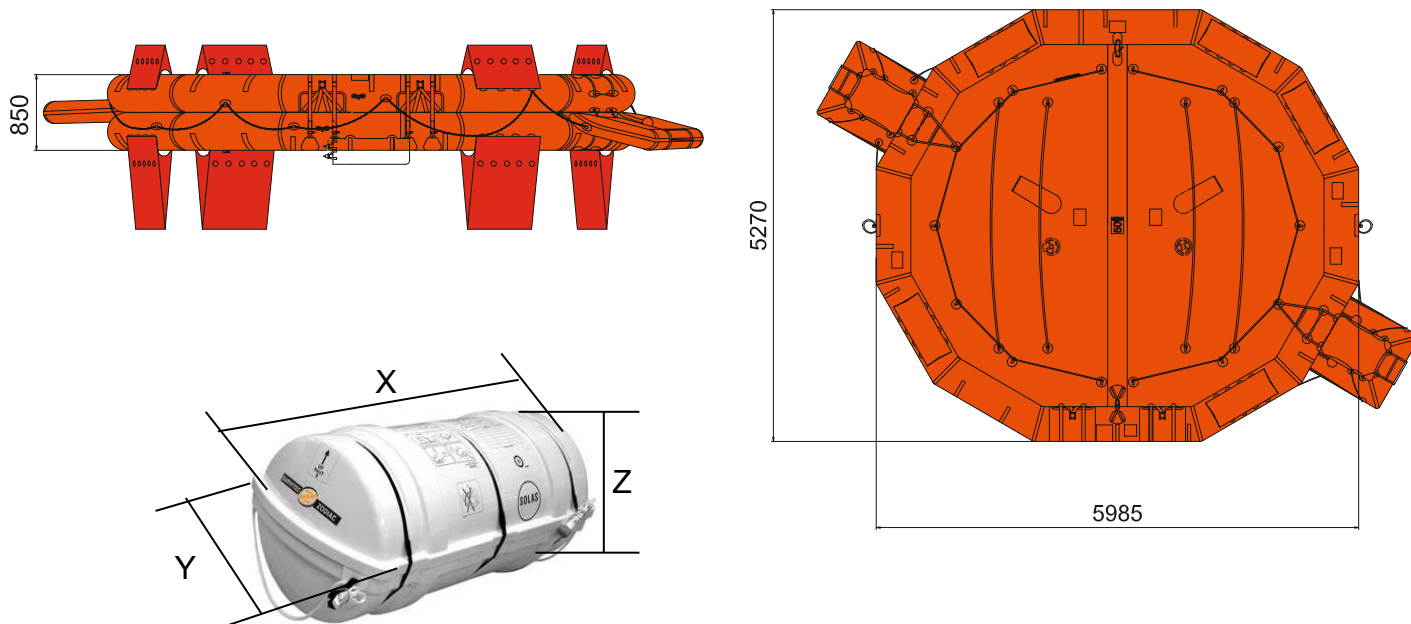
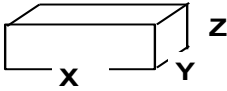


MARINE EVACUATION SYSTEM (MES) ORIL 50 WITH CENTRAL BOWSING LINES ASSOCIATED WITH SMALL INFLATABLE SLIDE (SIS)



50 MAN MES SIS	HSC PACK		
Container	N15		
Dimensions	X: 1275 mm	Y: 800 mm	Z: 740 mm
	X: 4' 2,2"	Y: 2' 7,5"	Z: 2' 5,14"
Liferaft Net Weight	178 kg / 393 pounds		
Max. height stowage	18 m / 60'		
Painter line length	25 m / 83'		
Inflation Cylinder	2 x 20 liter		
 Crate	X: 1350 mm	Y: 840 mm	Z: 900 mm
	X: 4' 5,15"	Y: 2' 9,08"	Z: 2' 11,44"
	201 kg / 444 pounds		
	1,021 m3 / 36,04 cubic foot		
Towing force	2 knots		3 knots
Without sea anchor	120 daN		195 daN
With sea anchor	165 daN		270 daN

ORIL 50 MES SIS CBL.doc	Issue: 1	Date: 22/02/2017
-------------------------	----------	------------------

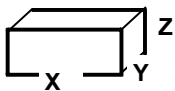
Dimensions and weight +/- 5%
SURVITEC SAS reserves the right to change specification without notice.
For installation, add minimum +10mm for clearance to dimensions of the container.

SIS (SMALL INFLATABLE SLIDE)

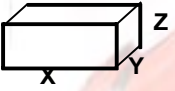


Slide in valise

SIS	1,70 m			2,20 m		
Valise						
Dimensions	X:670mm	Y:300mm	Z:260mm	X:720mm	Y:425mm	Z:295mm
	X:2' 2,38"	Y:11,82"	Z:10,24"	X:2' 4,35"	Y:1' 4,74"	Z:11,62"
Slide net weight	15 kg / 34 pounds			19 kg / 42 pounds		
Max. evacuation height	1,70 m			2,20 m		
Firing line length	1,50 m			1,50 m		
Inflation cylinder	1 x 2,83 litres			1 x 4 litres		

 Crate	X:830mm	Y:540mm	Z:330mm	X:830mm	Y:540mm	Z:330mm
	X:2' 8,68"	Y:1' 9,26"	Z:1' 1"	X:2' 8,68"	Y:1' 9,26"	Z:1' 1"
	17,6 kg / 39 pounds			21,6 kg / 48 pounds		
	0,148 m ³ / 5,23 cubic foot			0,148 m ³ / 5,23 cubic foot		

SIS	2,70 m			3,20 m		
Valise						
Dimensions	X:720mm	Y:450mm	Z:295mm	X:800mm	Y:450mm	Z:295mm
	X:2' 4,35"	Y:1' 5,72"	Z:11,62"	X:2' 7,5"	Y:1' 5,72"	Z:11,62"
Slide net weight	27 kg / 60 pounds			28,5 kg / 63 pounds		
Max. evacuation height	2,70 m			3,20 m		
Firing line length	1,50 m			1,50 m		
Inflation cylinder	1 x 6 litres			1 x 6,7 litres		

 Crate	X:830mm	Y:540mm	Z:330mm	X:830mm	Y:540mm	Z:330mm
	X:2' 8,68"	Y:1' 9,26"	Z:1' 1"	X:2' 8,68"	Y:1' 9,26"	Z:1' 1"
	29,6 kg / 66 pounds			31,1 kg / 69 pounds		
	0,148 m ³ / 5,23 cubic foot			0,148 m ³ / 5,23 cubic foot		

Approvals:	EC
-------------------	-----------

ORIL 50 MES SIS CBL.doc	Issue: 1	Date: 22/02/2017
-------------------------	----------	------------------

Dimensions and weight +/- 5%
 SURVITEC SAS reserves the right to change specification without notice.
 For installation, add minimum +10mm for clearance to dimensions of the container.