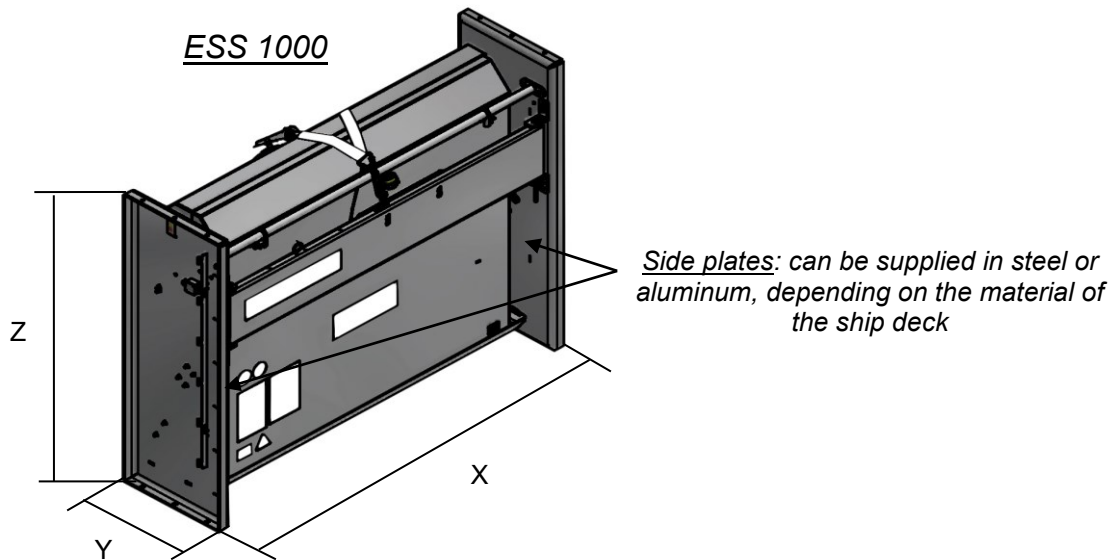
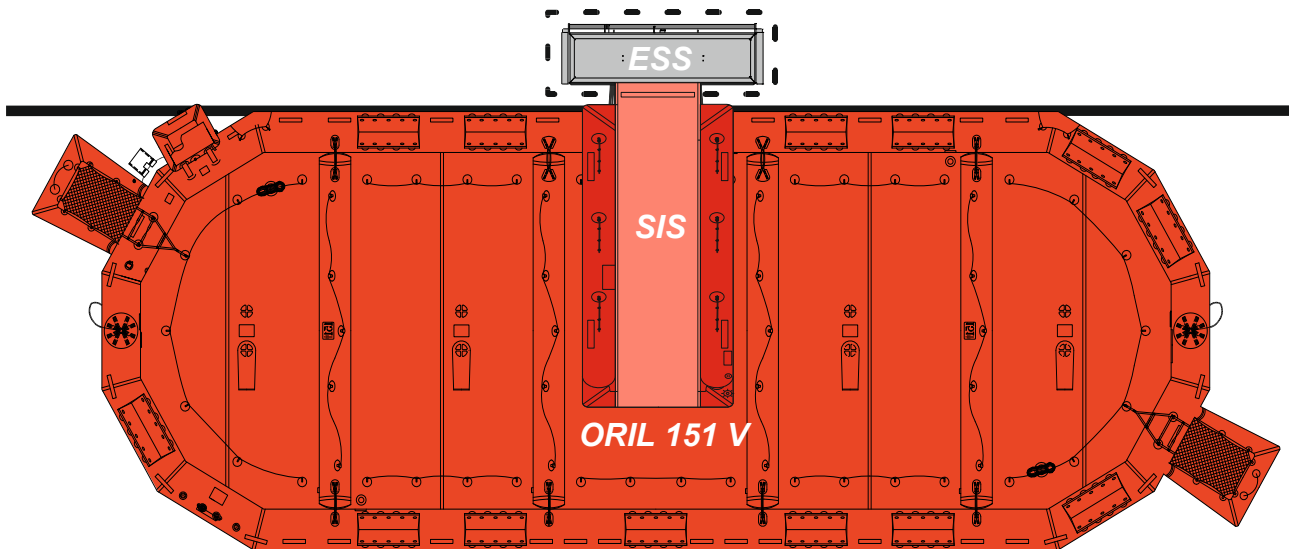


**MARINE EVACUATION SYSTEM (MES)
ORIL 151 VENTURI WITH CENTRAL BOWSING LINES
ASSOCIATED WITH SMALL INFLATABLE SLIDE (SIS) &
EVACUATION SLIDE SYSTEM (ESS)**



** ESS system adapted to open deck and tween deck (fitted with door)*

Maximum height stowage	1,70 m		
ESS 1000			
Complete System Dimensions	X: 2128mm	Y: 600mm	Z: 1645mm
	X: 6' 11,78"	Y: 1' 11,63"	Z: 5' 4,77"
System Net Weight - Steel side plates	570 kg / 1257 pounds		
System Net Weight - Alu side plates	528 kg / 1165 pounds		

Maximum height stowage	2,20 m		
ESS 1000			
Complete System Dimensions	X: 2128mm	Y: 600mm	Z: 1645mm
	X: 6' 11,78"	Y: 1' 11,63"	Z: 5' 4,77"
System Net Weight - Steel side plates	574 kg / 1266 pounds		
System Net Weight - Alu side plates	532 kg / 1173 pounds		

Maximum height stowage	2,70 m		
ESS 1000			
Complete System Dimensions	X: 2128mm	Y: 600mm	Z: 1645mm
	X: 6' 11,78"	Y: 1' 11,63"	Z: 5' 4,77"
System Net Weight - Steel side plates	582 kg / 1284 pounds		
System Net Weight - Alu side plates	540 kg / 1191 pounds		

Maximum height stowage	3,20 m		
ESS 1000			
Complete System Dimensions	X: 2128mm	Y: 600mm	Z: 1645mm
	X: 6' 11,78"	Y: 1' 11,63"	Z: 5' 4,77"
System Net Weight - Steel side plates	584 kg / 1288 pounds		
System Net Weight - Alu side plates	542 kg / 1195 pounds		

Maximum height stowage	3,80 m		
ESS 1000			
Complete System Dimensions	X: 2128mm	Y: 600mm	Z: 1645mm
	X: 6' 11,78"	Y: 1' 11,63"	Z: 5' 4,77"
System Net Weight - Steel side plates	592 kg / 1306 pounds		
System Net Weight - Alu side plates	550 kg / 1213 pounds		

Approvals:	EC - SMA
-------------------	-----------------

ESS MES SIS CBL 151 V.doc	Issue: 3	Date: 05/09/2018
---------------------------	----------	------------------

Dimensions and weight +/- 5%
 SURVITEC SAS reserves the right to change specification without notice.
 For installation, add minimum +10mm for clearance to dimensions of the container.