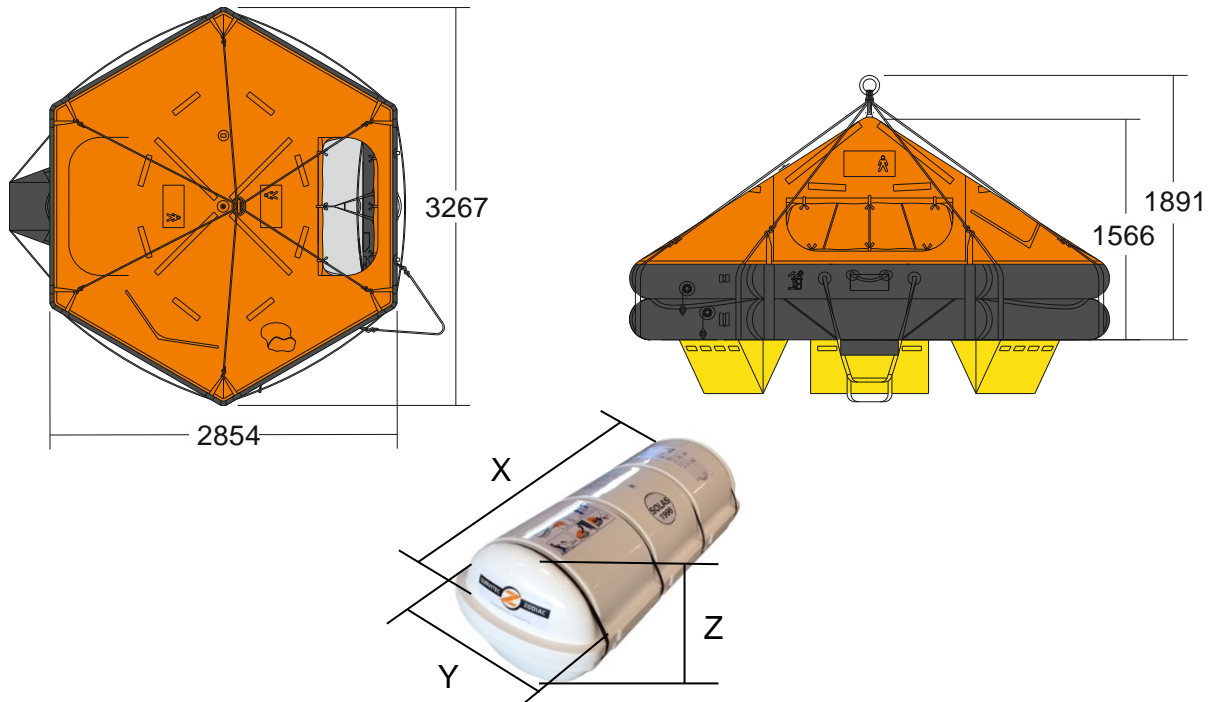


## 12 PERSON DAVIT LAUNCHED LIFERAFT

### ROUND CONTAINER - SOLAS A & B PACK



12 DL	A PACK	B PACK
Container	<b>RND MK14 S14</b>	<b>RND MK14 S14</b>
<i>Dimensions</i>	X: 1156mm    Y: 612mm    Z: 584mm X: 3'9,50"    Y: 2'1"    Z: 1'11"	X: 1156mm    Y: 612mm    Z: 584mm X: 3'9,50"    Y: 2'1"    Z: 1'11"
Liferaft net weight	113kg / 249 lbs	92kg / 203 lbs
Height of stowage	36m / 118' (maximum)	
Painter line length	46m / 151'	
Crate	X: 1355mm    Y: 650mm    Z: 740mm X: 4'5,35"    Y: 2'1,6"    Z: 2'5,14"	X: 1250mm    Y: 600mm    Z: 700mm X: 4'1,22"    Y: 1'10,05"    Z: 2'3,56"
<i>Dimensions &amp; weight</i>	131kg / 289 lbs	107kg / 236 lbs
Towing force	<b>2 knots</b> 80 daN / 180 lbf	<b>3 knots</b> 179 daN / 402 lbf

Approvals:	<b>EC - USCG - TC</b>
------------	-----------------------

12 DL ROUND 22112016 KLT.doc	Issue: 1	Date: 22/11/2016
------------------------------	----------	------------------

Dimensions and weight +/- 5%  
 SURVITEC SAS reserves the right to change specification without notice.  
 For installation, add minimum +10mm for clearance to dimensions of the container.