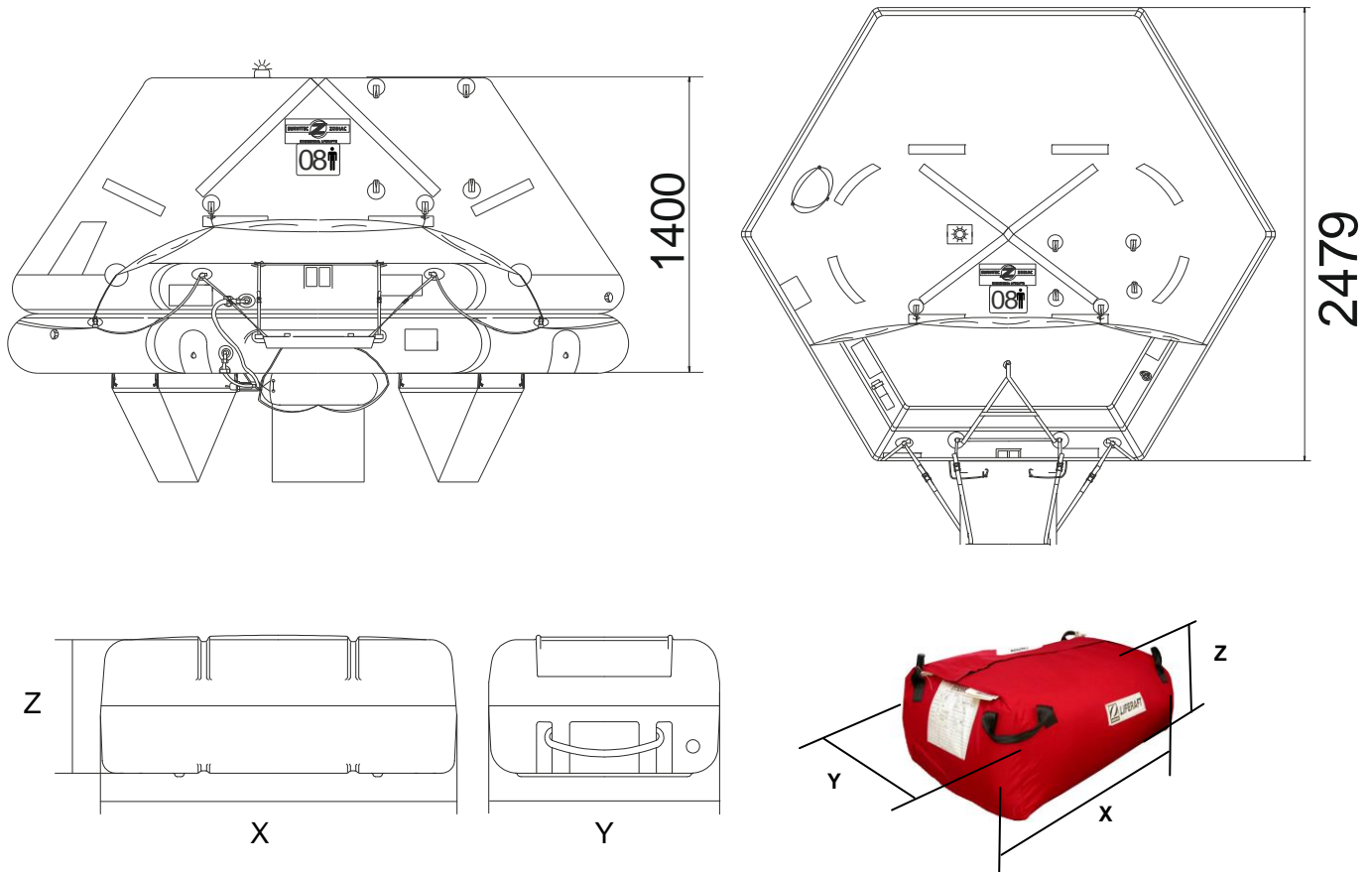


# 08 PERSON COASTAL LIFERAFT - USCG GRP LOW PROFILE CONTAINER & VALISE



8 MAN	GRP container			Valise		
Container	N132			N° 4		
Dimensions	X: 890 mm	Y: 520 mm	Z: 315 mm	X: 850 mm	Y: 325 mm	Z: 350 mm
	X: 2' 11,04"	Y: 1' 8,48"	Z: 1' 0,41"	X: 2' 9,47"	Y: 1' 0,8"	Z: 1' 1,78"
Liferaft Net Weight	50 kg / 111 pounds			40 kg / 89 pounds		
Max. height stowage	10 m / 33'			10 m / 33'		
Painter line length	20 m / 66'					
Inflation Cylinder	1 x 6,7 litre					

Crate	X: 930 mm	Y: 540 mm	Z: 350 mm	X: 930 mm	Y: 540 mm	Z: 350 mm
	X: 3' 0,62"	Y: 1' 9,26"	Z: 1' 1,78"	X: 3' 0,62"	Y: 1' 9,26"	Z: 1' 1,78"
	52 kg / 115 pounds			42 kg / 93 pounds		
	0,176 m3 / 6,21 cubic foot			0,176 m3 / 6,21 cubic foot		

Towing force	2 knots	3 knots
Without sea anchor	49 daN	63 daN
With sea anchor	57 daN	138 daN

**Approvals:** **USCG**

08 COASTAL USCG LPC 06102015 KLT.doc Issue: 3 Date: 06/10/2015

Dimensions and weight +/- 5%  
SURVITEC SAS reserves the right to change specification without notice.  
For installation, add minimum +10mm for clearance to dimensions of the container.