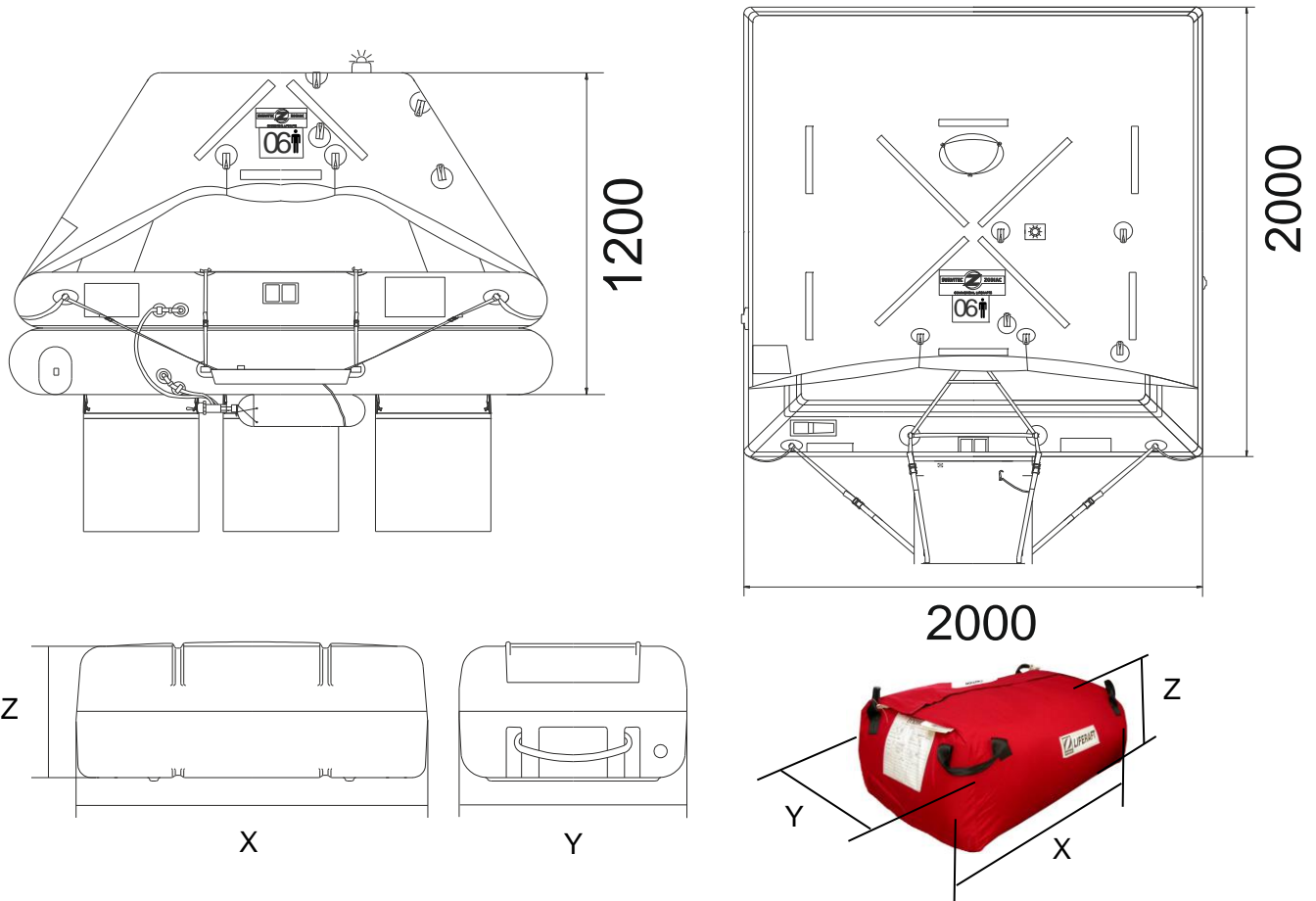
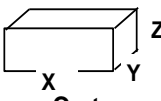


## 06 PERSON COASTAL LIFERAFT - USCG GRP LOW PROFILE CONTAINER & VALISE



6 MAN	GRP container			Valise		
Container	N131			N° 4		
Dimensions	X: 800 mm X: 2' 7,5"	Y: 518 mm Y: 1' 8,4"	Z: 300 mm Z: 11,82"	X: 850 mm X: 2' 9,47"	Y: 325 mm Y: 1' 0,8"	Z: 350 mm Z: 1' 1,78"
Liferaft Net Weight	37 kg / 82 pounds			32 kg / 71 pounds		
Max. height stowage	10 m / 33'			10 m / 33'		
Painter line length	20 m / 66'					
Inflation Cylinder	1 x 4 litre					

 Crate	X: 830 mm X: 2' 8,68"	Y: 540 mm Y: 1' 9,26"	Z: 330 mm Z: 1' 1"	X: 930 mm X: 3' 0,62"	Y: 540 mm Y: 1' 9,26"	Z: 350 mm Z: 1' 1,78"
	40 kg / 89 pounds			35 kg / 78 pounds		
	0,148 m <sup>3</sup> / 5,23 cubic foot			0,176 m <sup>3</sup> / 6,21 cubic foot		

<b>Towing force</b>	<b>2 knots</b>	<b>3 knots</b>
Without sea anchor	35 daN	60 daN
With sea anchor	48 daN	90 daN

<b>Approvals:</b>	<b>USCG</b>
-------------------	-------------

06 COASTAL USCG LPC 06022017 KLT.doc	Issue: 5	Date: 06/02/2017
--------------------------------------	----------	------------------

Dimensions and weight +/- 5%  
 SURVITEC SAS reserves the right to change specification without notice.  
 For installation, add minimum +10mm for clearance to dimensions of the container.