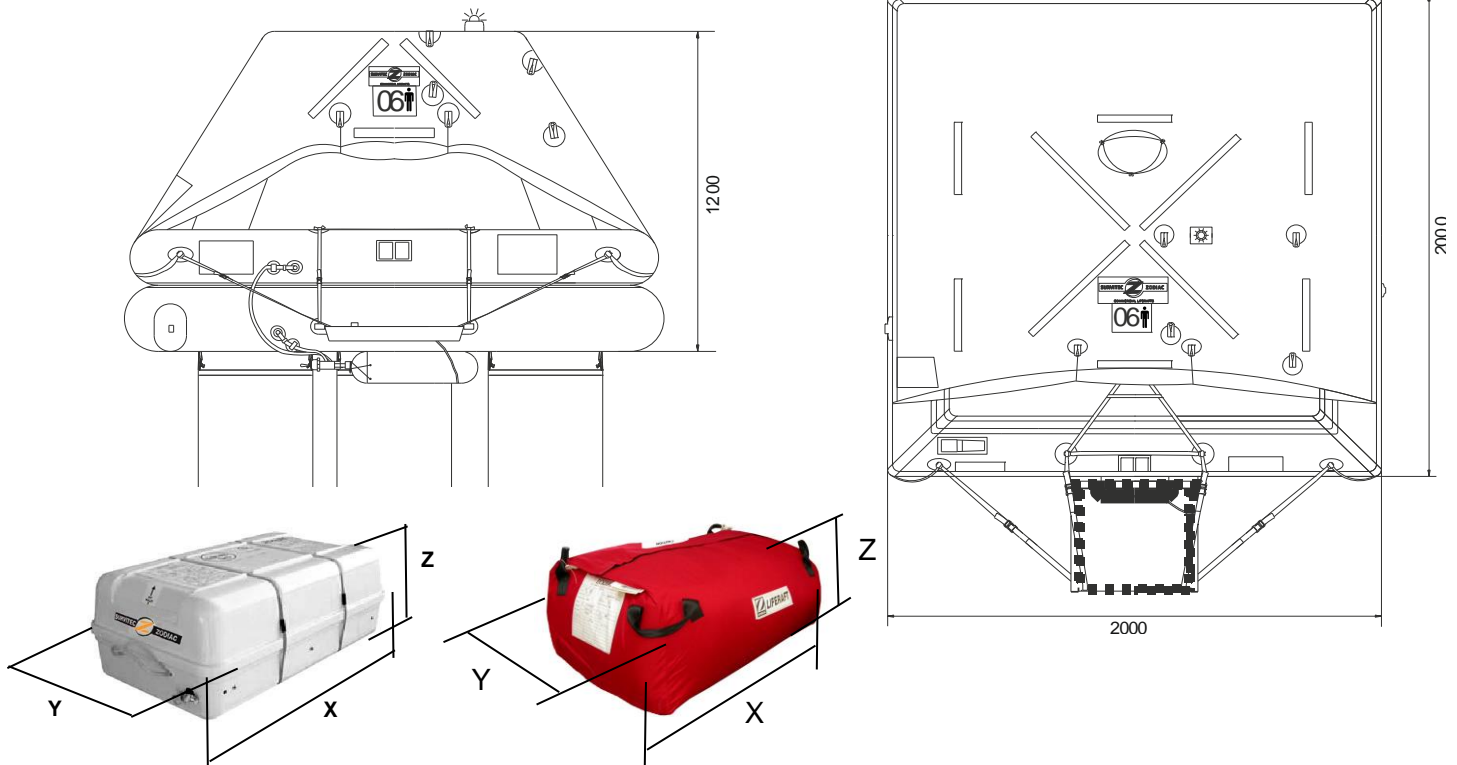
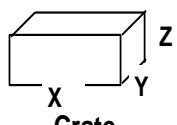


06 PERSON COASTAL LIFERAFT IN VACUUM POUCH - CCG GRP LOW PROFILE CONTAINER & VALISE



6 MAN	GRP container			Valise		
Container	N131			N° 4		
Dimensions	X: 800 mm	Y: 518 mm	Z: 300 mm	X: 850 mm	Y: 325 mm	Z: 350 mm
	X: 2' 7,5"	Y: 1' 8,4"	Z: 11,82"	X: 2' 9,47"	Y: 1' 0,8"	Z: 1' 1,78"
Liferaft Net Weight	40 kg / 89 pounds			33 kg / 73 pounds		
Max. height stowage	10 m / 33'			10 m / 33'		
Painter line length	20 m / 66'					
Inflation Cylinder	1 x 4 litre					

 Crate	X: 830 mm	Y: 540 mm	Z: 330 mm	X: 830 mm	Y: 540 mm	Z: 330 mm
	X: 2' 8,68"	Y: 1' 9,26"	Z: 1' 1"	X: 2' 8,68"	Y: 1' 9,26"	Z: 1' 1"
	43 kg / 95 pounds			36 kg / 80 pounds		
	0,148 m3 / 5,23 cubic foot			0,148 m3 / 5,23 cubic foot		

Towing force	2 knots	3 knots
Without sea anchor	35 daN	60 daN
With sea anchor	48 daN	90 daN

Approvals:

TC

06 COASTAL EPE CCG LPC & valise 06022017KLT.doc

Issue: 4

Date: 06/02/2017

Dimensions and weight +/- 5%
SURVITEC SAS reserves the right to change specification without notice.
For installation, add minimum +10mm for clearance to dimensions of the container.