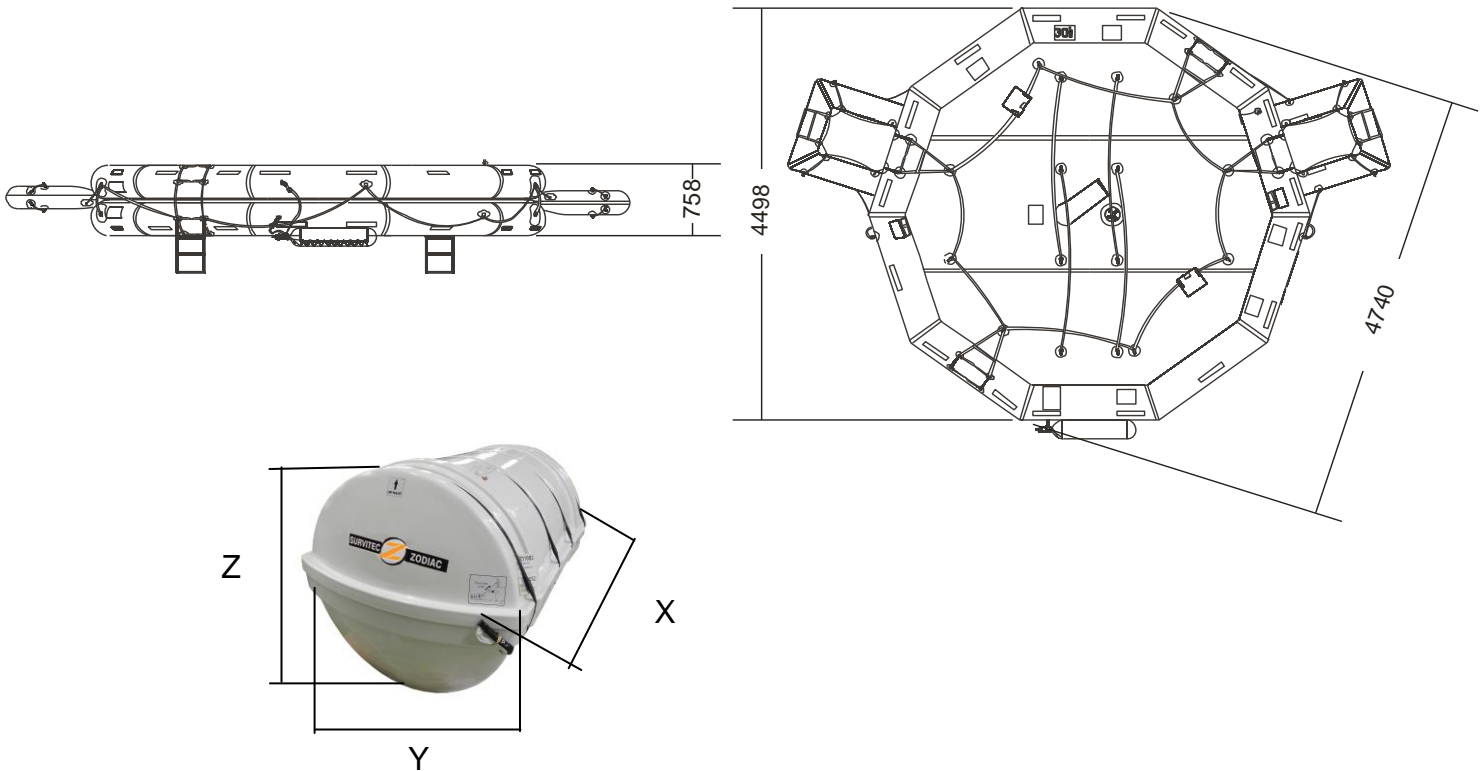
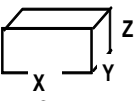


# IBA CCG R 45 MAN OPEN REVERSIBLE INFLATABLE LIFERAFT ROUND CONTAINER – PACKED IN VACUUM POUCH (EPE)



45 MAN EPE	ROUND CONTAINER		
<b>Container</b>	<b>N13</b>		
Dimensions	X: 1275 mm	Y: 610 mm	Z: 590 mm
	X: 4' 2,2"	Y: 2' 0,02"	Z: 1' 11,23"
Liferaft Net Weight	101 kg / 223 pounds		
Max. height stowage	18 m / 60'		
Painter line length	25 m / 83'		
Inflation Cylinder	1 x 20 liter		

 Crate	X: 1360 mm	Y: 650 mm	Z: 740 mm
	X: 4' 5,55"	Y: 2' 1,6"	Z: 2' 5,14"
	128 kg / 283 pounds		
0,655 m3 / 23,1 cubic foot			

Towing force	2 knots	3 knots
Without sea anchor	102 daN	138 daN
With sea anchor	147 daN	227 daN

<b>Approvals:</b>	<b>TC</b>
-------------------	-----------

IBA CCG R 45 EPE cont rond 27102015 KLT.doc	Issue : 3	Date : 27/10/2015
---	-----------	-------------------

Dimensions and weight +/- 5%  
SURVITEC SAS reserves the right to change specification without notice.  
For installation, add minimum +10mm for clearance to dimensions of the container.