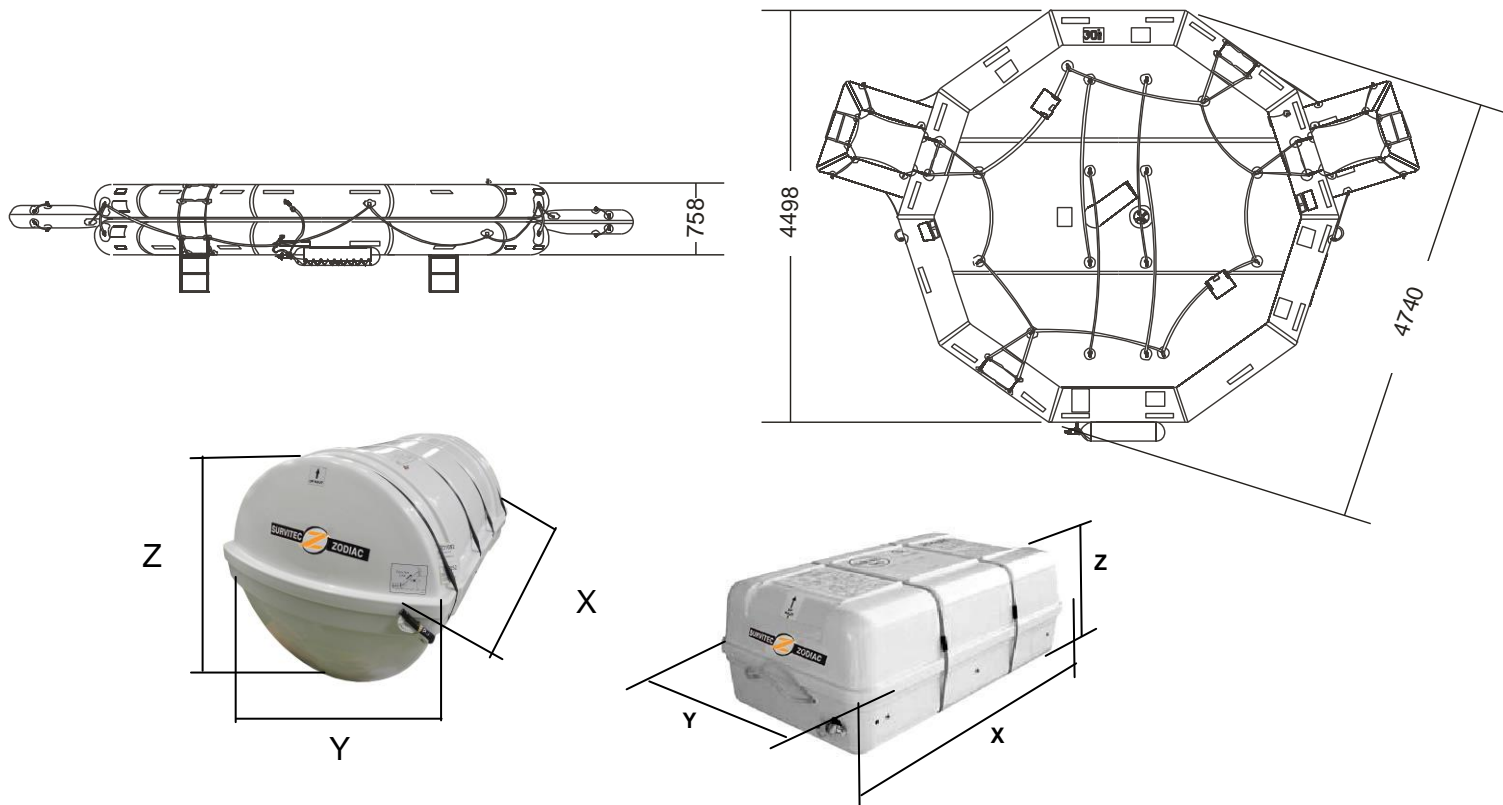
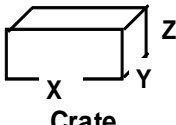


IBA CCG R 45 MAN

OPEN REVERSIBLE INFLATABLE LIFERAFT ROUND CONTAINER – LOW PROFILE CONTAINER



| 45 MAN | ROUND CONT | | | LPC | | |
|---------------------|---------------------|-------------|--------------|--------------------|-------------|-------------|
| Container | N13 | | | N135 | | |
| Dimensions | X: 1275 mm | Y: 610 mm | Z: 590 mm | X: 1088 mm | Y: 666 mm | Z: 390 mm |
| | X: 4' 2,2" | Y: 2' 0,02" | Z: 1' 11,23" | X: 3' 6,84" | Y: 2' 2,23" | Z: 1' 3,36" |
| Liferaft Net Weight | 100 kg / 221 pounds | | | 99 kg / 219 pounds | | |
| Max. height stowage | 18 m / 60' | | | | | |
| Painter line length | 25 m / 83' | | | | | |
| Inflation Cylinder | 1 X 20 liter | | | | | |

| | | | | | | |
|--|----------------------------|------------|-------------|-----------------------------|-------------|-------------|
|  Crate | X: 1360 mm | Y: 650 mm | Z: 740 mm | X: 1140 mm | Y: 700 mm | Z: 410 mm |
| | X: 4' 5,55" | Y: 2' 1,6" | Z: 2' 5,14" | X: 3' 8,89" | Y: 2' 3,56" | Z: 1' 4,15" |
| | 127 kg / 280 pounds | | | 104 kg / 230 pounds | | |
| | 0,655 m3 / 23,1 cubic foot | | | 0,328 m3 / 11,56 cubic foot | | |

| | | |
|---------------------|----------------|----------------|
| Towing force | 2 knots | 3 knots |
| Without sea anchor | 102 daN | 138 daN |
| With sea anchor | 147 daN | 227 daN |

| | |
|-------------------|-----------|
| Approvals: | TC |
|-------------------|-----------|

| | | |
|---|----------|------------------|
| IBA CCG R 45 cont rond & LPC 27102015 KLT.doc | Issue: 5 | Date: 27/10/2015 |
|---|----------|------------------|

Dimensions and weight +/- 5%
 SURVITEC SAS reserves the right to change specification without notice.
 For installation, add minimum +10mm for clearance to dimensions of the container.