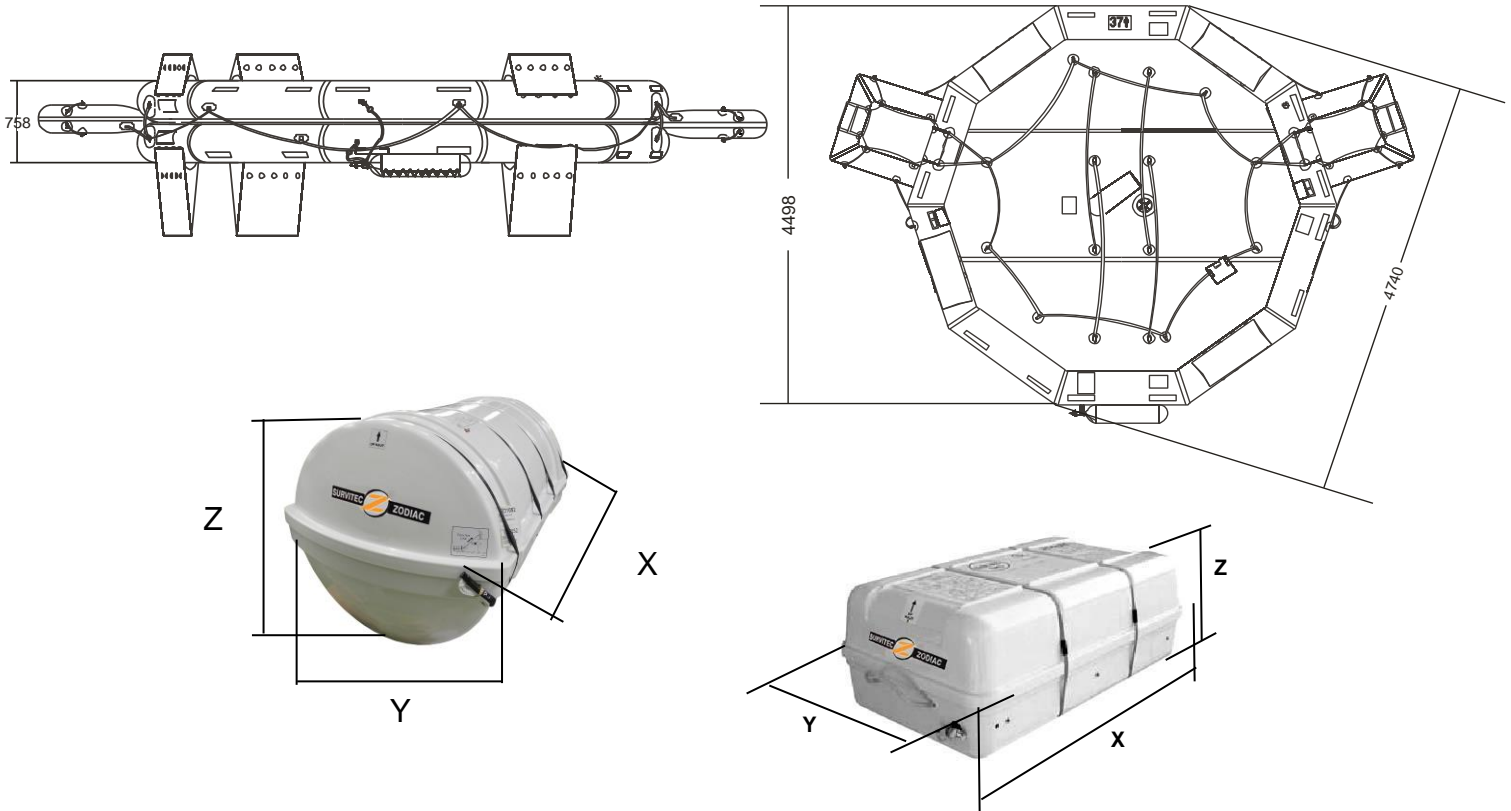
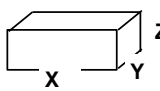


ORIL 37 MAN

OPEN REVERSIBLE INFLATABLE LIFERAFT ROUND CONTAINER – LOW PROFILE CONTAINER



37 MAN	DOT PACK					
Container	N136			N13		
Dimensions	X: 1160 mm	Y: 730 mm	Z: 408 mm	X: 1275 mm	Y: 610 mm	Z: 590 mm
	X: 3' 9,67"	Y: 2' 4,75"	Z: 1' 4,07"	X: 4' 2,2"	Y: 2' 0,02"	Z: 1' 11,23"
Liferaft Net Weight	101 kg / 223 pounds			104 kg / 230 pounds		
Max. height stowage	18 m / 60'			18 m / 60'		
Painter line length	18 m / 60'			18 m / 60'		
Inflation Cylinder	1 x 20 liter					
 Crate	X: 1200 mm	Y: 760 mm	Z: 430 mm	X: 1320 mm	Y: 650 mm	Z: 700 mm
	X: 3' 11,25"	Y: 2' 5,93"	Z: 1' 4,93"	X: 4' 3,97"	Y: 2' 1,6"	Z: 2' 3,56"
	105 kg / 232 pounds			120 kg / 265 pounds		
	0,393 m3 / 13,85 cubic foot			0,601 m3 / 21,21 cubic foot		
Towing force	2 knots			3 knots		
Without sea anchor	96 daN			131 daN		
With sea anchor	106 daN			137 daN		

Approvals:	MCA
-------------------	------------

ORIL 37 cont rond & LPC 21022017 KLT.doc	Issue: 5	Date: 21/02/2017
--	----------	------------------

Dimensions and weight +/- 5%
 SURVITEC SAS reserves the right to change specification without notice.
 For installation, add minimum +10mm for clearance to dimensions of the container.