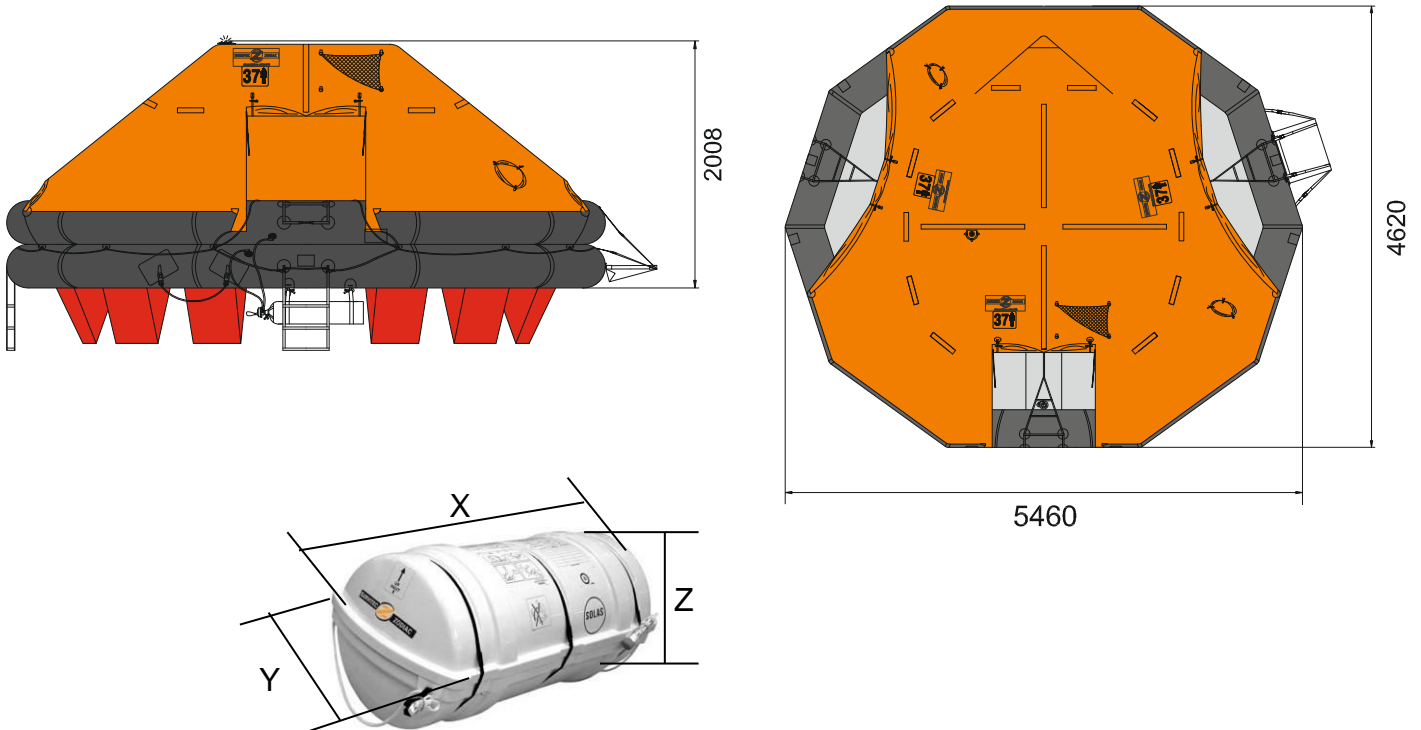
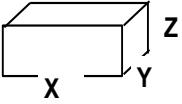


37 MAN THROW OVER BOARD LIFERAFT ROUND CONTAINER SOLAS A & B PACK



37 MAN	A PACK			B PACK		
Container	N18			N16		
Dimensions	X: 1560 mm	Y: 852 mm	Z: 835 mm	X: 1450 mm	Y: 800 mm	Z: 740 mm
	X: 5' 1,42"	Y: 2' 9,55"	Z: 2' 8,88"	X: 4' 9,09"	Y: 2' 7,5"	Z: 2' 5,14"
Liferaft Net Weight	250 kg / 552 pounds			163 kg / 360 pounds		
Height stowage	25 m / 83'			36 m / 119'		
Painter line length	35 m / 115'			35 m / 115' or 50 m / 165'		
Inflation Cylinder	2 x 15 liter					

 Crate	X: 1640 mm	Y: 940 mm	Z: 1010 mm	X: 1530 mm	Y: 850 mm	Z: 900 mm
	X: 5' 4,57"	Y: 3' 1,01"	Z: 3' 3,77"	X: 5' 0,24"	Y: 2' 9,47"	Z: 2' 11,44"
	280 kg / 618 pounds			187 kg / 413 pounds		
	1,558 m ³ / 54,98 cubic foot			1,171 m ³ / 41,33 cubic foot		

Towing force	2 knots	3 knots
Without sea anchor	122 daN	227 daN
With sea anchor	178 daN	312 daN

Approvals:	EC (MED) - USCG - TC
-------------------	-----------------------------

37 TO cont rond	Issue: 3	Date: 09/04/2018
-----------------	----------	------------------

Dimensions and weight +/- 5%
SURVITEC SAS reserves the right to change specification without notice.
For installation, add minimum +10mm for clearance to dimensions of the container.