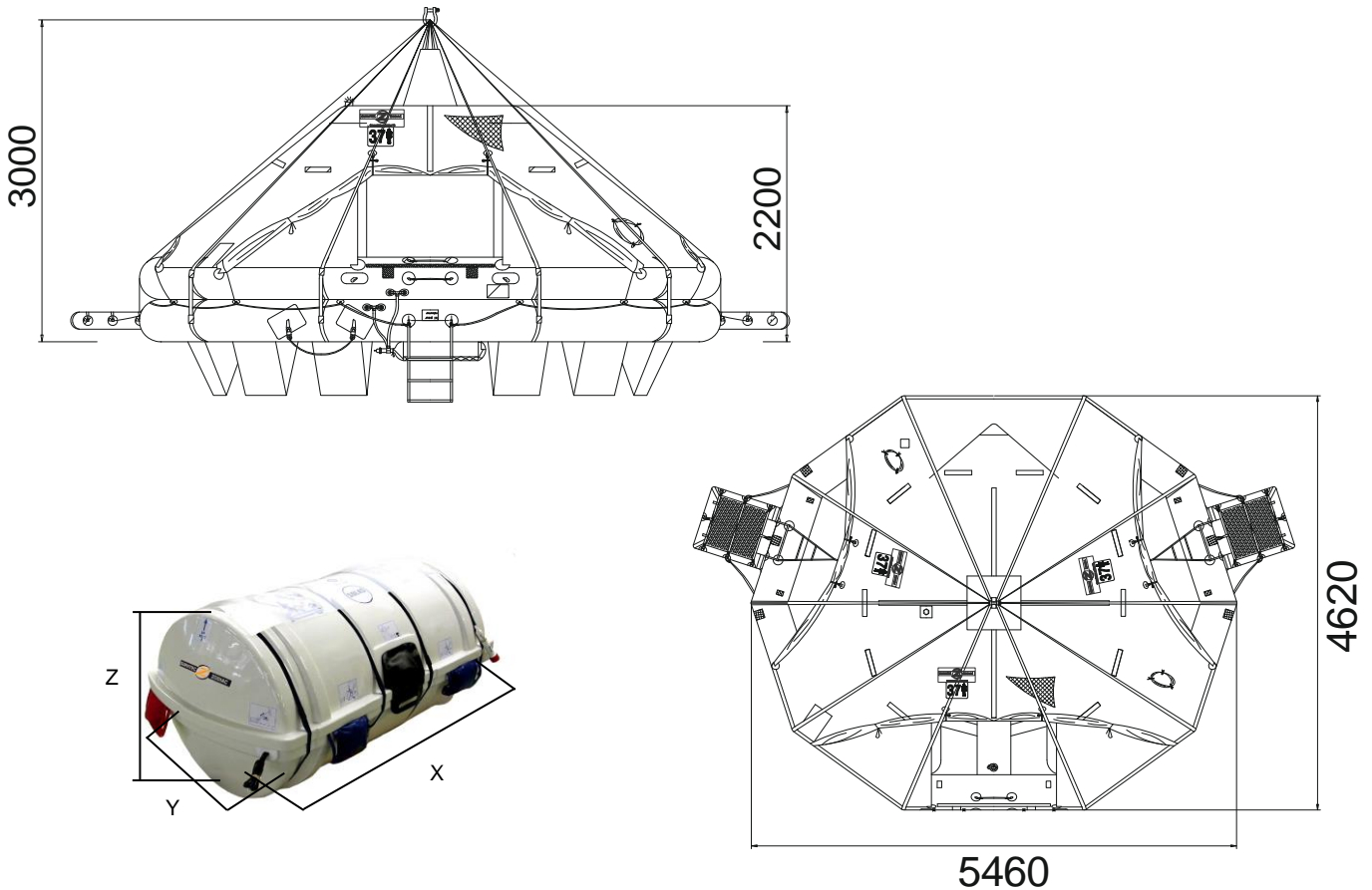
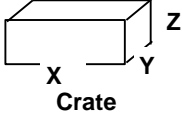


# 37 PERSON DAVIT LAUNCHED LIFERAFT ROUND CONTAINER



37 MAN	A PACK			B PACK		
Container	N17B			N16B		
Dimensions	X: 1500 mm X: 4' 11,06"	Y: 950 mm Y: 3' 1,41"	Z: 945 mm Z: 3' 1,21"	X: 1450 mm X: 4' 9,09"	Y: 800 mm Y: 2' 7,5"	Z: 740 mm Z: 2' 5,14"
Liferaft Net Weight	275 kg / 607 pounds			195 kg / 430 pounds		
Height stowage	25 m / 83'		36 m / 119'	25 m / 83'		36 m / 119'
Painter line length	35 m / 115'		50 m / 165'	35 m / 115'		50 m / 165'
Inflation Cylinder	2 x 15 liter					

 Crate	X: 1580 mm X: 5' 2,21"	Y: 1050 mm Y: 3' 5,34"	Z: 1130 mm Z: 3' 8,49"	X: 1530 mm X: 5' 0,24"	Y: 850 mm Y: 2' 9,47"	Z: 900 mm Z: 2' 11,44"
	300 kg / 662 pounds			220 kg / 486 pounds		
	1,875 m3 / 66,2 cubic foot			1,171 m3 / 41,33 cubic foot		

<b>Towing force</b>	<b>2 knots</b>	<b>3 knots</b>
Without sea anchor	122 daN	227 daN
With sea anchor	178 daN	312 daN

<b>Approvals:</b>	<b>EC (MED) – USCG – TC – RMRS – BV</b>
-------------------	---

37 DL cont rond 07022017 KLT.doc	Issue: 8	Date: 07/02/2017
----------------------------------	----------	------------------

Dimensions and weight +/- 5%  
 SURVITEC SAS reserves the right to change specification without notice.  
 For installation, add minimum +10mm for clearance to dimensions of the container.