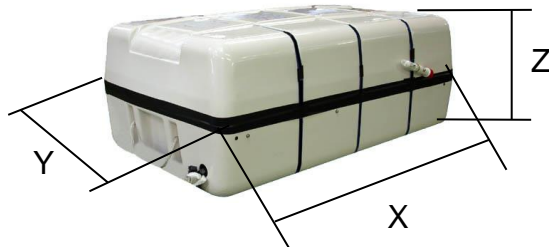
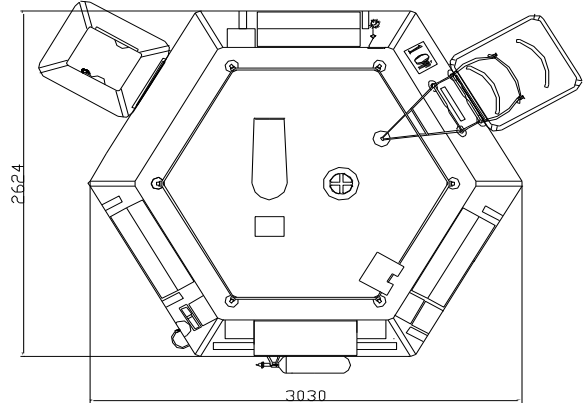
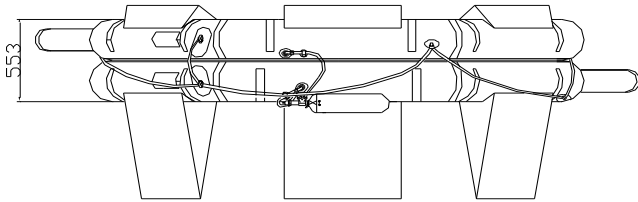
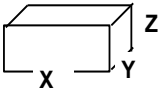


ORIL 10 MAN

OPEN REVERSIBLE INFLATABLE LIFERAFT LOW PROFILE CONTAINER (LPC) – ROUND CONTAINER



10 MAN	HSC PACK			HSC PACK		
Container	N132			N11		
Dimensions	X: 890 mm	Y: 520 mm	Z: 333 mm	X: 1020 mm	Y: 476 mm	Z: 440 mm
	X: 2' 11,04"	Y: 1' 8,48"	Z: 1' 1,12"	X: 3' 4,16"	Y: 1' 6,75"	Z: 1' 5,33"
Liferaft Net Weight	51 kg / 113 pounds			51 kg / 113 pounds		
Max. height stowage	18 m / 60'					
Painter line length	18 m / 60'					
Inflation Cylinder	1 x 6,7 liter					

 Crate	N132			N11		
	X: 930 mm	Y: 540 mm	Z: 350 mm	X: 1110 mm	Y: 590 mm	Z: 590 mm
X: 3' 0,62"	Y: 1' 9,26"	Z: 1' 1,78"	X: 3' 7,71"	Y: 1' 11,23"	Z: 1' 11,23"	
54 kg / 120 pounds			65 kg / 144 pounds			
0,176 m3 / 6,21 cubic foot			0,387 m3 / 13,65 cubic foot			

Towing force	2 knots	3 knots
Without sea anchor	41 daN	78 daN
With sea anchor	90 daN	165 daN

Approvals: EC (MED) – BV

ORIL 10 cont rond & LPC 21022017 KLT.doc	Issue: 5	Date: 21/02/2017
--	----------	------------------

Dimensions and weight +/- 5%
SURVITEC SAS reserves the right to change specification without notice.
For installation, add minimum +10mm for clearance to dimensions of the container.